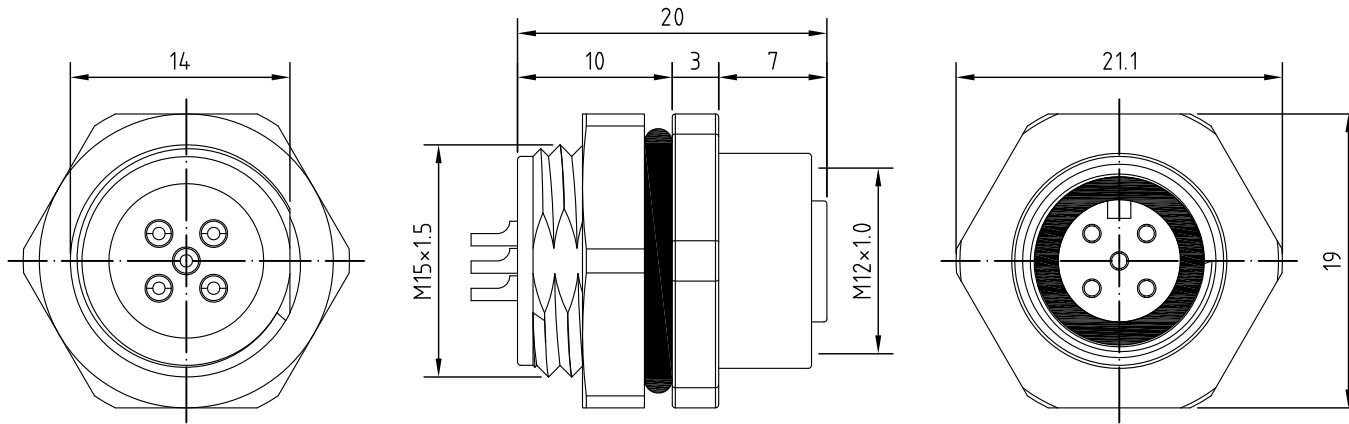


Recommended Panel cut-out



REV.	Description	Date
1	panel cut-out dimension revise	2020/9/16

Specification of connector

- Locking system : screw M12
- Termination : solder
- Shell protection : IP68
- Contact resistance :  $\leq 10\text{m}\Omega$
- Insulation resistance :  $\geq 10\text{M}\Omega$

RoHS  
TOLERANCE X $\pm$ 0.5 .X $\pm$ 0.3

CONTACT ARRANGEMENT FRONT VIEW (FEMALE)	2P	3P	4P	5P	6P	7P	8P	12P
Rated voltage	250V			125V			60V	
Rated current	5A			2A			1A	

4	Nut	PP
3	O ring	Rubber
2	Pin	Brass/Gold plated
1	Body	PP
Item	Description	Material&Plating



Unicable Co., Ltd. 國陽電業有限公司

5F., No. 111-33, Sec. 4, San Ho Road., San Chung Dist., New Taipei City, Taiwan  
http://www.unicable.com.tw Tel:+886-2-2286-2122 Fax:+886-2-2286-1010

DATE	2020/9/16	PART NO.	UT-SD168M4-XP
DWN	GINA	REV.	1
CHK			
UNIT	MM		

ITEM	Sensor Connector M12
------	----------------------